

CLASS

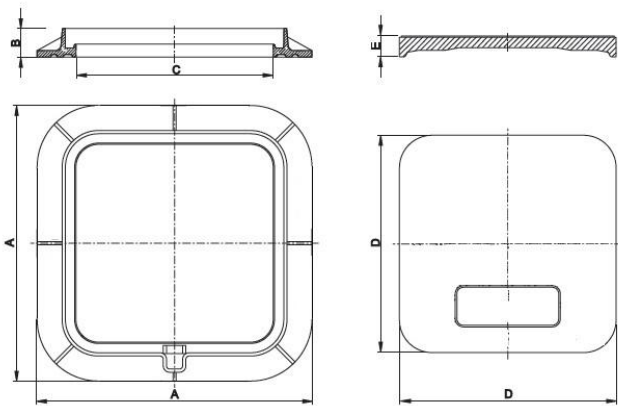
Technical Datasheet

A 15 – 50 kN

EN 124-5

The composite resin material products produced by ZIBO LURUN company have the advantages of high strength, high hardness, light weight, corrosion resistance, aging resistance, high temperature resistance, beauty, anti-theft, etc. The products have been tested by the national authoritative department and all the indicators have reached the latest national standards. The company's products is in compliance with EN 124 standard – Class A15 (50 kN). Manufactured by ISO 9001:2008, ISO 14001:2004 and ISO OHSAS 18001:2007 certified company. Marking: load bearing class, reference standard, manufacturer's name and quality mark issued by a certification body internationally recognized. It is composed of:

- Square frame, external size in mm see below table,
- Square grating with anti-slip surface.
- Optional customization (customer's name or service).



Description	Frame Size A x A (mm)	Frame Height B (mm)	Clear Opening C x C (mm)	Grating Size D x D (mm)	Grating Height E (mm)
G 300 A15 (50 kN)	300 x 300	35	220 x 220	250 x 250	25
G 400 A15 (50 kN)	400 x 400	48	250 x 250	300 x 300	30
G 500 A15 (50 kN)	500 x 500	58	350 x 350	400 x 400	40
G 600 A15 (50 kN)	600 x 600	60	450 x 450	500 x 500	40
G 700 A15 (50 kN)	700 x 700	60	550 x 550	600 x 600	40